

## packaging machine HV2



### Description:

Highly variable higher class vertical hose packaging machine  
Technical speed max. 80 / min

### Variations:

Standard, flat bottom, stabilopack

### Technical data:

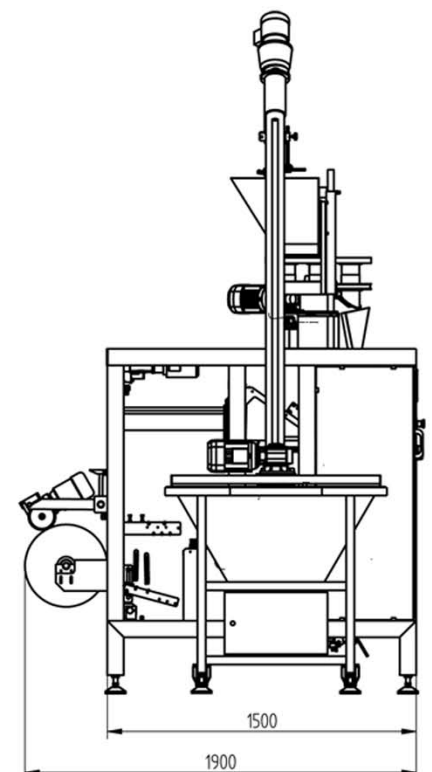
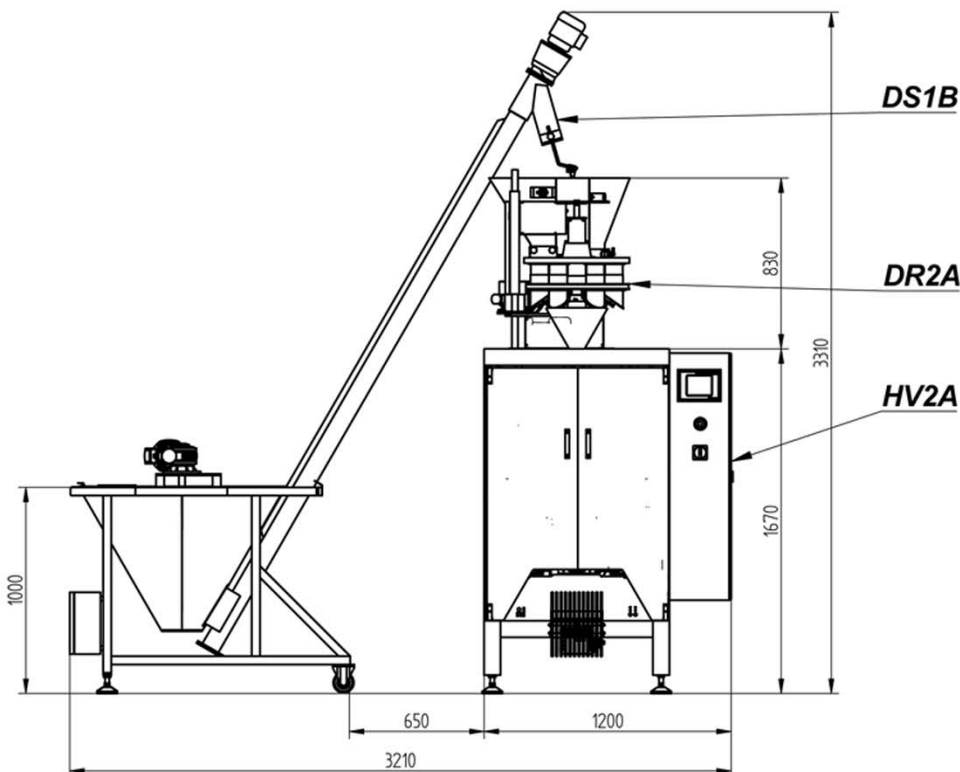
Electric installation.....3 x 380V / 50 Hz  
Power..... 3 kVA  
Air pressure.....0,5 - 0,8 MPa  
Air consumption.....500 l / min  
Weight.....750 kg

### Bags:

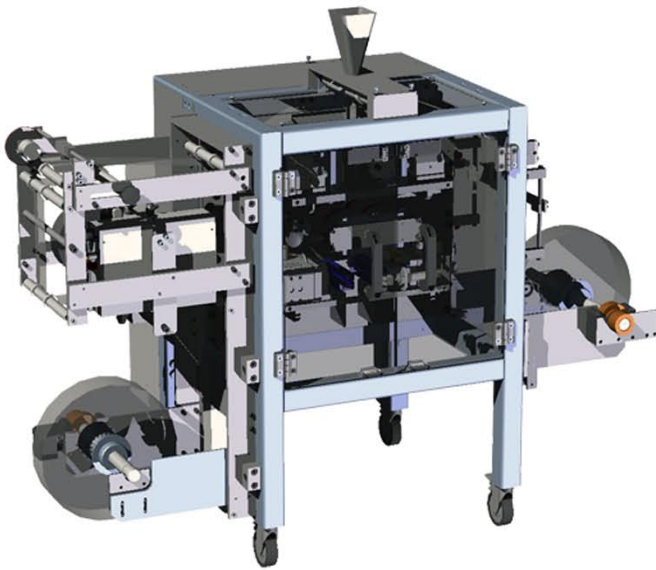
Length max. 400 mm  
Width max. 242 mm

Pillow bags, flat bottom bags, gusseted bags, stabilopack

Doser	Product	Max. output / min
Combinatorial dosing weigher	Not homogenous piece goods, jelly, cookies, vegetables, etc.	max. 80
Linear dosing weigher DV 1/2 G	Small piece homogenous goods - lentils, granulates etc.	30 / 45
Auger filler DS 1/2 B	Problematic loose products - sugar, salt, gypsum, mixes	60 / 80
Volumetric doser DR 1/2 A	Rice, pasta, beans, small granules, detergents, etc.	60 / 80
Liquid doser or pumps	Water, ketchup, mustard, mayonnaise, honey, etc.	30 / 40



## packaging machine BV



### Description:

Designed to pack small piece products and sample packages  
Technical speed max. 66 / min

### Variations:

Standard

### Technical data:

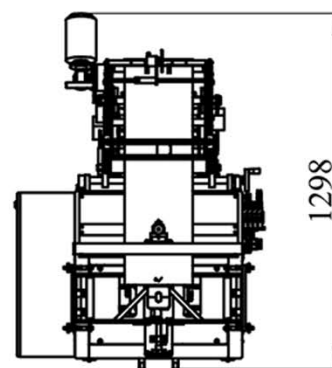
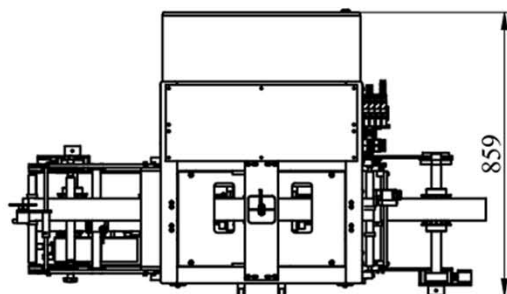
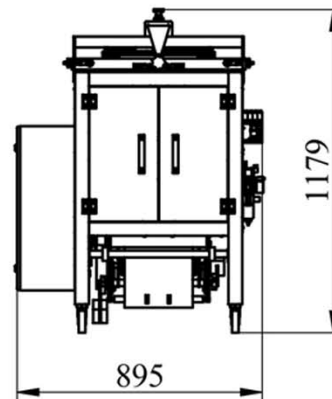
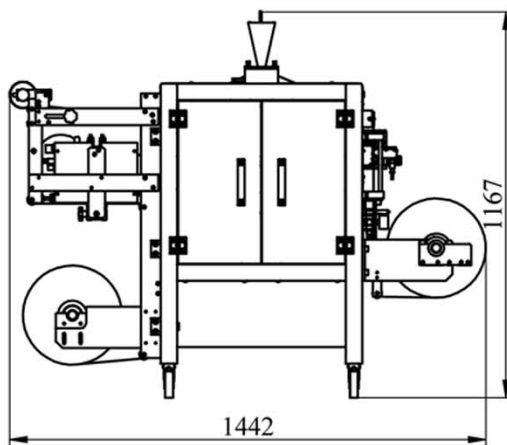
Electric installation.....230 V / 50hz  
Power..... 1,5 kVA  
Air pressure.....6 bar  
Air consumption.....97 l / min  
Weight.....250 kg

### Bags:

Length max. 130 mm  
Width max. 105 mm

Three and four seal bags

Doser	Product	Max. output / min
Micro dosing weigher VXMC	Small piece homogenous goods - lentils, tablets etc.	50
Volumetric doser DR 1/2 A	Rice, pasta, beans, small granules, detergents, sugar	50
Auger filler DS 1/2 B	Problematic loose products - salt, gypsum, mixes	50
Liquid doser or pumps	Water, ketchup, mustard, mayonnaise, honey.	30



## packaging machine HNXB



### Description:

Highly variable vertical multi lane packaging machine  
Technical speed max. 60 / min

### Variations:

Standard combined drives

### Technical data:

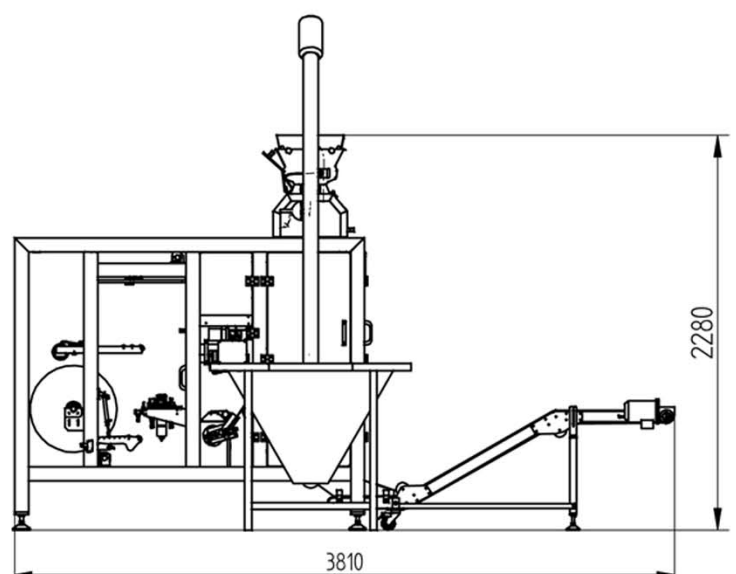
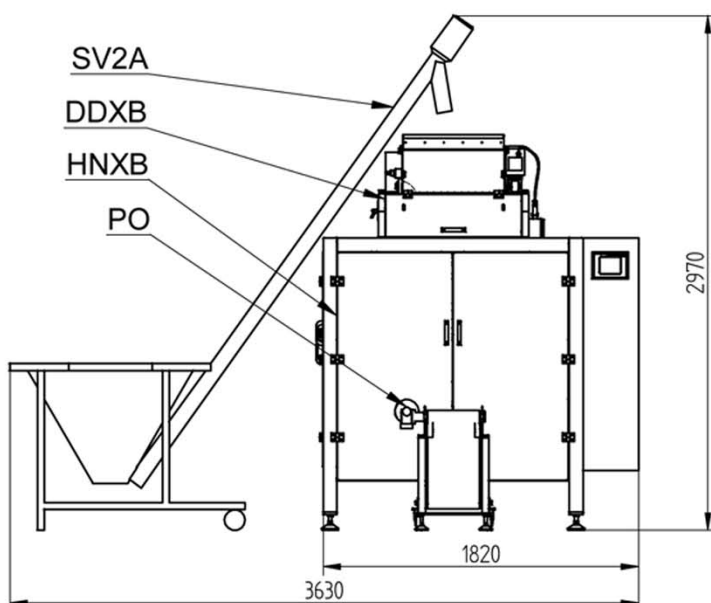
Electric installation.....3x 380 V / 50 Hz  
Power..... 3 kVA  
Air pressure.....0,5 - 0,8 MPa  
Air consumption.....500 l / min  
Weight.....2000 kg

### Bags:

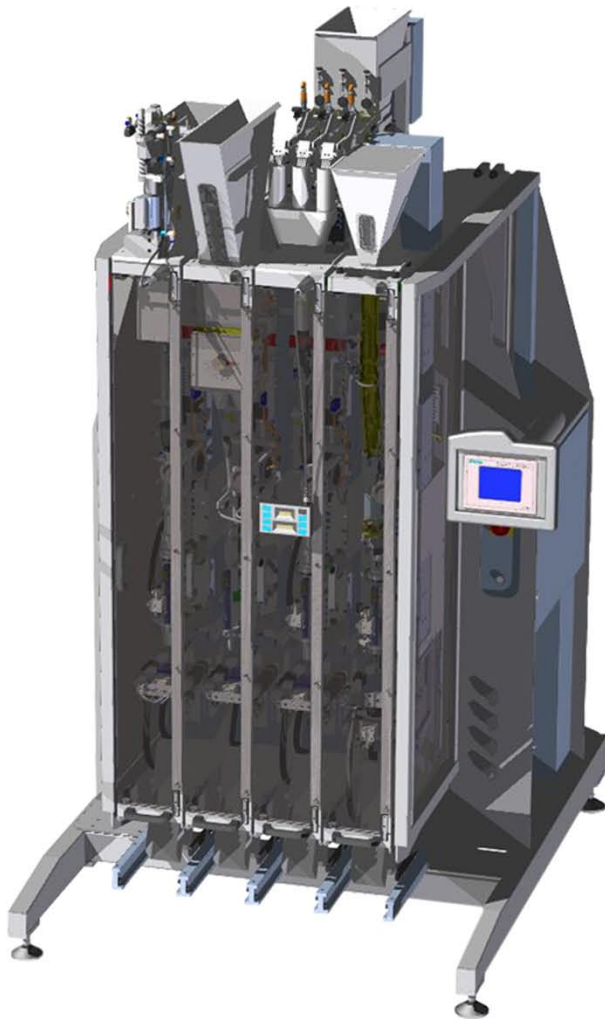
Length max. 180 mm  
Width max. 64 mm

Pillow bags, cross bags and sticks

Doser	Product	Max. output / min / line
Multi lane micro weigher VXND	Small piece homogenous goods - lentils, granulates etc.	45
Dancing doser DDXA / DDXB	Sugar and other loose homogenous products.	50
Multi lane auger filler DSXC	Spices, coffee powder, 3 in 1, cream, capuccino etc.	40
Liquid doser or pumps	Water, ketchup, mustard, mayonnaise, honey.	40



## packaging machine HNXE



### Description:

Highly variable modular vertical packaging machine  
Unique design - simply grows with your requirements  
Technical speed max. 45 / min / module

### Variations:

Standard, multi tube

### Technical data:

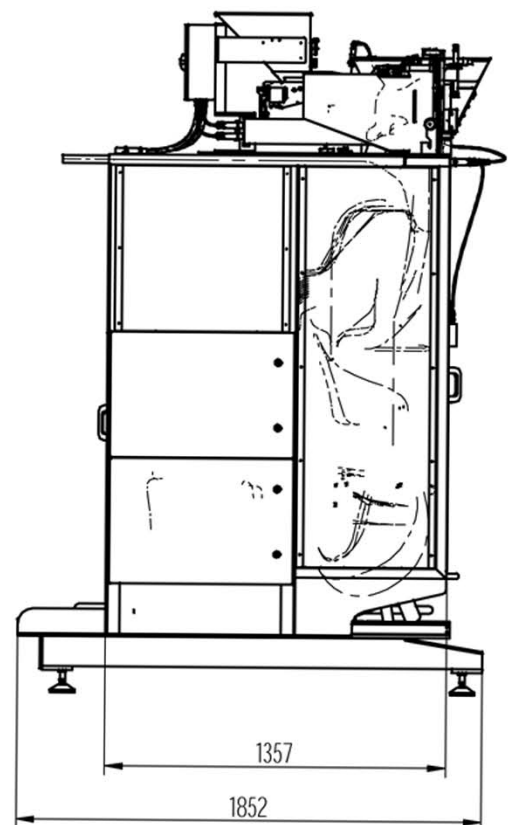
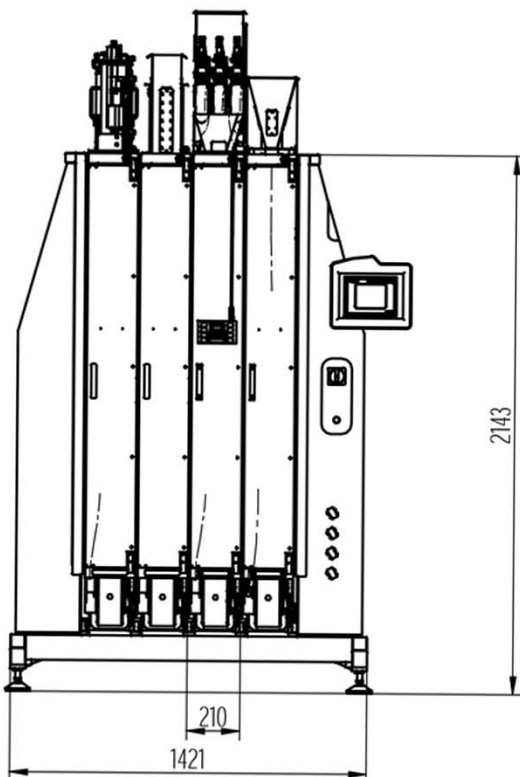
Electric installation.....3x 380 V / 50 Hz  
Power..... max. 4 kVA  
Air pressure.....0,5 - 0,8 MPa  
Air consumption.....0,3 l / tube / 1 cycle  
Weight.....250 kg / module

### Bags:

Length max. 180 mm  
Width max. 64 mm

Pillow bags, cross bags and sticks

Doser	Product	Max. output / min / module
Three lane micro weigher VXND	Small piece homogenous goods - lentils, granulates etc.	45
Dancing doser DDXA / DDXB	Sugar and other loose homogenous products.	100 (2 x tube Ø10)
Multi lane auger filler DSXC	Spices, coffee powder, 3 in 1, cream, capuccino etc.	40
Liquid doser or pumps	Water, ketchup, mustard, mayonnaise, honey.	40



## packaging machine HU



### Description:

Highly variable lower class vertical hose packaging machine  
Technical speed max. 60 / min

### Variations:

Standard, one tube, multi tube, cross jaws, combined drives

### Technical data:

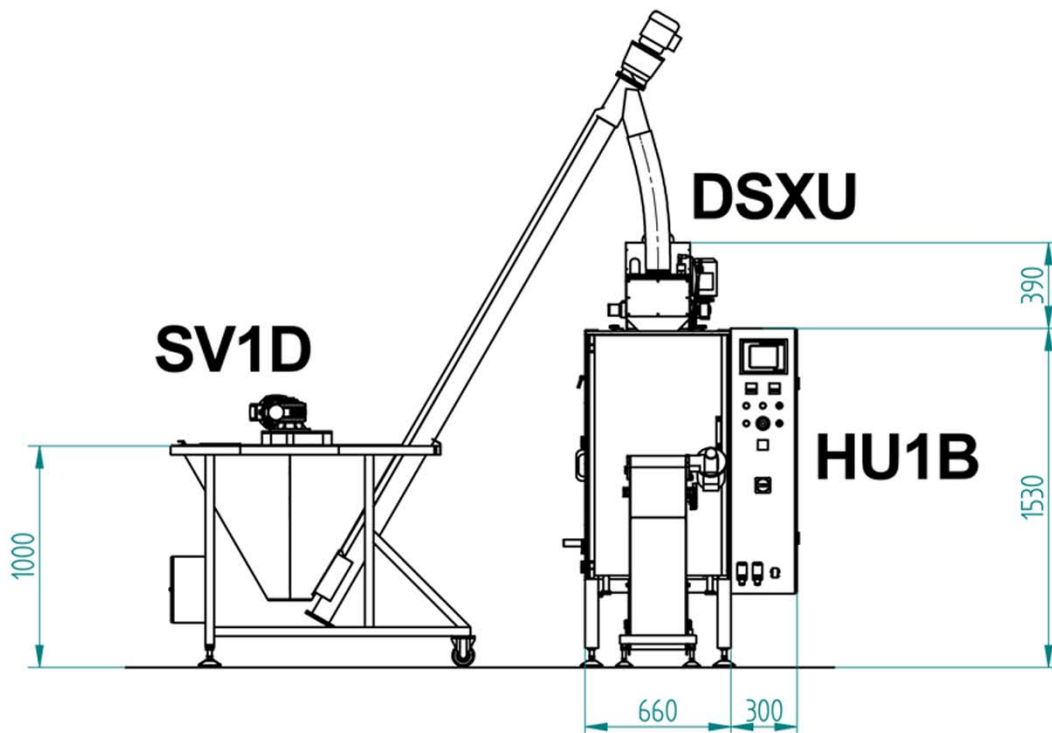
Electric installation.....3 x 380V / 50 Hz  
Power..... 2 kVA  
Air pressure.....0,5 - 0,8 MPa  
Air consumption.....500 l / min  
Weight.....470 kg

### Bags:

Length max. 300 mm  
Width max. 200 mm

Pillow bags, cross bags and sticks

Doser	Product	Max. output / min
Combinatorial dosing weigher	Not homogenous piece goods, jelly, cookies, vegetables, etc.	max. 60
Linear dosing weigher DV 1/2 G	Small piece homogenous goods - lentils, granulates etc.	15 / 30
Auger filler DS 1/2 B	Problematic loose products - sugar, salt, gypsum, mixes	15 / 40
Volumetric doser DR 1/2 A	Rice, pasta, beans, small granules, detergents, etc.	15 / 30
Liquid doser or pumps	Water, ketchup, mustard, mayonnaise, honey.	max. 40



## packaging machine HV3



### Description:

Very fast highly variable higher class vertical hose packaging machine with servo drives  
Technical speed max. 120 / min

### Variations:

Standard, flat bottom, stabilopack

### Technical data:

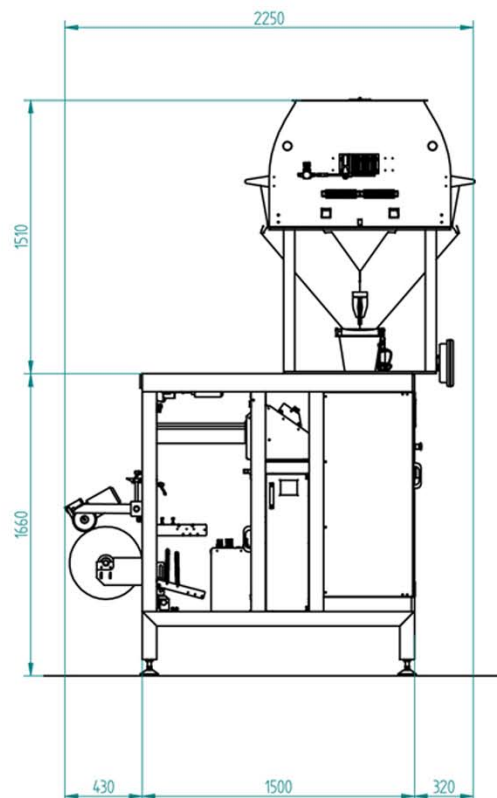
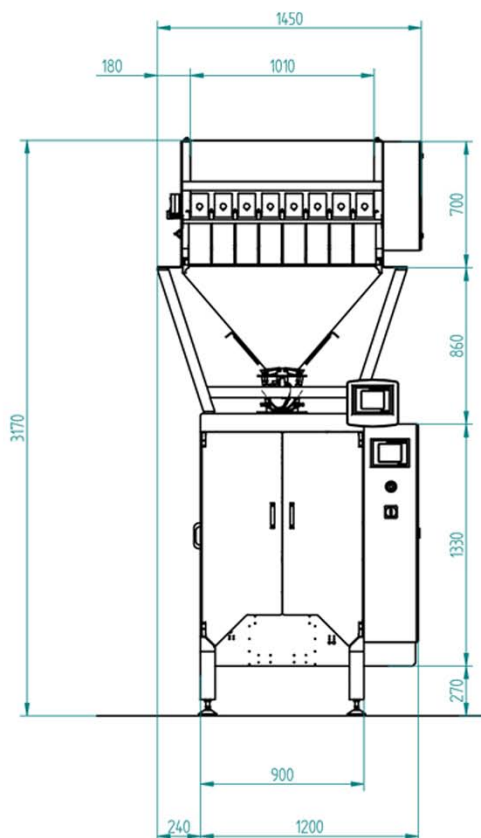
Electric installation..... 3 x 380V / 50 Hz  
Power..... 1,5 kVA  
Air pressure..... 0,5 - 0,8 MPa  
Air consumption..... 500 l / min  
Weight..... 550 kg

### Bags:

Length max. 400 mm  
Width max. 254 mm

Pillow bags, flat bottom bags, gusseted bags, stabilopack

Doser	Product	Max. output / min
Combinatorial dosing weigher	Not homogenous piece goods, jelly, cookies, vegetables, etc.	max. 80
Linear dosing weigher DV 1/2 G	Small piece homogenous goods - lentils, granulates etc.	30 / 45
Auger filler DS 1/2 B	Problematic loose products - sugar, salt, gypsum, mixes	60 / 80
Volumetric doser DR 1/2 A	Rice, pasta, beans, small granules, detergents, etc.	60 / 80
Liquid doser or pumps	Water, ketchup, mustard, mayonnaise, honey, etc.	30 / 40



## packaging machine HV4



### Description:

Vertical packaging machine for large volumes and collated packages  
2v1 and 3v1  
Technical speed max. 40 / min

### Variations:

Standard, stabilopack, flat bottom, shape cuts

### Technical data:

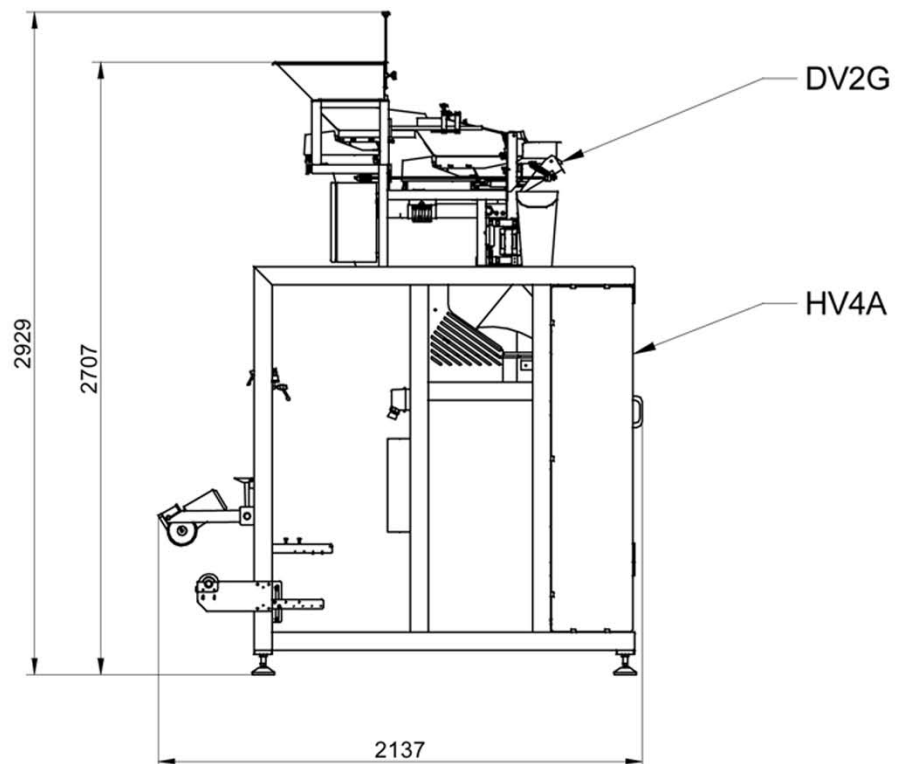
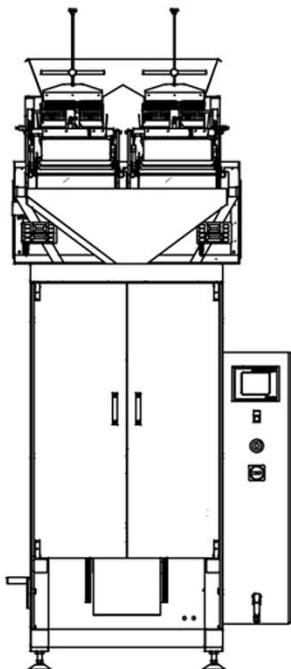
Electric installation..... 3 x 380V / 50 Hz  
Power..... 1,5 kVA  
Air pressure..... 0,5 - 0,8 MPa  
Air consumption..... 500 l / min  
Weight..... 850 kg

### Bags:

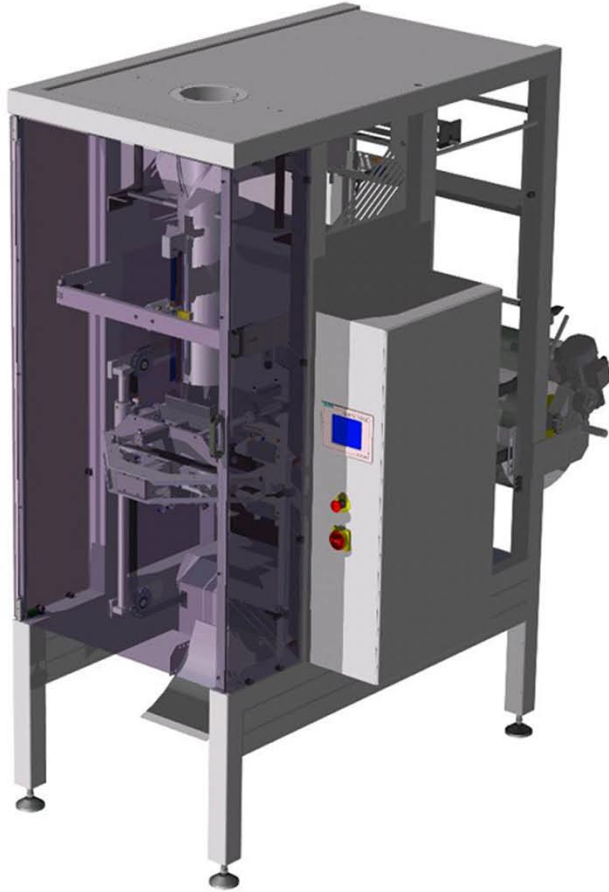
Length max. 800 mm  
Width max. 300 mm

Pillow bags, gusseted bags, stabilopack, flat bottom bags

Doser	Product	Max. output / min
Combinatorial dosing weigher	Not homogenous piece goods, jelly, cookies, vegetables, etc.	max. 40
Linear dosing weigher DV 1/2 G	Small piece homogenous goods - lentils, granulates etc.	15 / 30
Auger filler DS 1/2 B	Problematic loose products - sugar, salt, gypsum, mixes	30 / 40
Volumetric doser DR 1/2 A	Rice, pasta, beans, small granules, detergents, etc.	30 / 40
Liquid doser or pumps	Water, ketchup, mustard, mayonnaise, honey.	max. 40



## packaging machine HV5



### Description:

Vertical packaging machine specially designed for larger volumes and fruit and vegetables packaging  
Technical speed max. 20 / min

### Variations:

Standard, corner sealing, shape cuts

### Technical data:

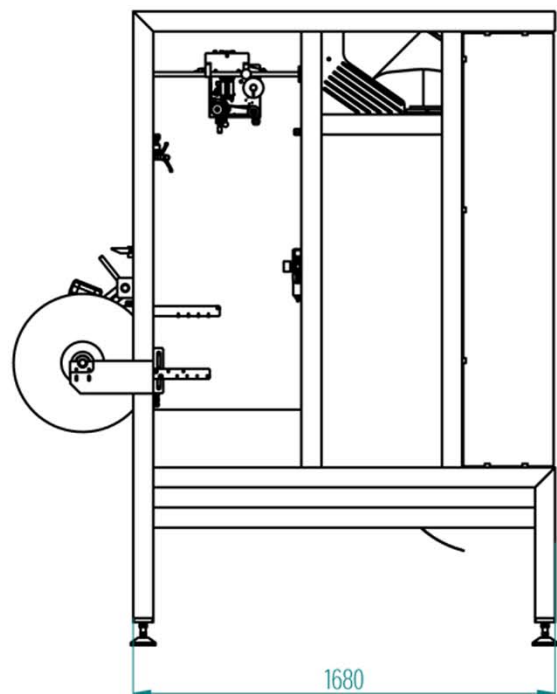
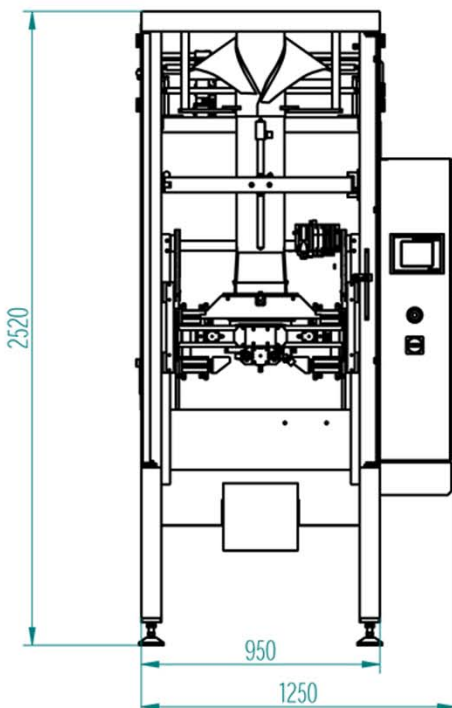
Electric installation.....3x 380 V / 50 Hz  
Power..... 2 kVA  
Air pressure.....0,5 - 0,8 MPa  
Air consumption.....500 l / min  
Weight.....650 kg

### Bags:

Length max. 600 mm  
Width max. 300 mm

Pillow bags, gusseted bags and carry family bags

Doser	Product	Max. output / min
Combinatorial dosing weigher	Not homogenous piece goods, jelly, cookies, vegetables, etc.	20
Linear dosing weigher DV 1/2 G	Small piece homogenous goods - lentils, granulates etc.	10 / 20
Auger filler DS1C	Problematic loose products - sugar, salt, gypsum, mixes	20
Volumetric doser DR3A	Rice, pasta, beans, small granules, detergents, etc.	20
Liquid doser or pumps	Water, milk, pickle and other low viscosity liquids	10





## packaging machine HV6



### Description:

Vertical packaging machine for large volumes  
Technical speed max. 15 / min

### Variations:

Standard, corner sealing, shape cuts

### Technical data:

Electric installation.....3x 380 V / 50 Hz  
Power..... 2 kVA  
Air pressure.....0,5 - 0,8 MPa  
Air consumption.....200 l / min  
Weight.....1800 kg

### Bags:

Length max. 800 mm  
Width max. 460 mm

Pillow bags, gusseted bags, flat bottom bags, stabilopack

Doser	Product	Max. output / min
Combinatorial dosing weigher	Not homogenous piece goods, jelly, cookies, vegetables, etc.	15
Linear dosing weigher DV 1/2 G	Small piece homogenous goods - lentils, granulates etc.	10
Auger filler DS 1/2 B	Problematic loose products - sugar, salt, gypsum, mixes	15
Volumetric doser DR 1/2 A	Rice, pasta, beans, small granules, detergents, etc.	15
Liquid doser or pumps	Water, ketchup, mustard, mayonnaise, honey.	10

